

GAS INNOVATIONS

Complete Inventory of all Cylinder Sizes to meet your needs

**Your One-Stop High & Low Pressure
Resale Cylinder Supplier**



Call for more
information:
Ph: 281-471-2200

CYLINDIRECTExpress



- High Pressure Steel Cylinders
- Acetylene Cylinders
- LP Gas Cylinders
- LP Aluminum and Forklift Cylinders

NORTH AMERICAN MADE CYLINDERS

GAS INNOVATIONS

Specifications

ACETYLENE

MODEL	AC-10	AC-40	ACC-40	AC-75	AC-145	AC-210	AC-250	AC-310	AC-390	AC-420
ACETYLENE CAPACITY (CU.FT.)	10	40	40	75	145	210	250	310	390	420
ACETYLENE DIAMETER (CU.METERS)	0.3	1.1	1.1	2.1	4.1	5.9	7.1	8.8	11	11.9
OUTSIDE DIAMETER (IN.)	3.9	6.2	6.2	7.2	8.2	10.3	10.3	12.3	12.3	12.3
OUTSIDE DIAMETER (MM)	99.8	156.9	156.9	182.3	208.4	260.6	260.6	312.5	312.5	312.5
HEIGHT (REF.) W/O VALVE (IN.)	13	19.7	20	25.8	33.9	32	36.6	32.7	40.2	40.9
HEIGHT (REF.) W/O VALVE (MM)	330.2	500.5	508	655.3	861.1	812.8	929.6	830.6	1,021	1,039
HEIGHT W/CAP (IN.)	15	23.3	28.3	31.7	39.8	37.9	42.5	38.6	46.1	46.8
HEIGHT W/CAP (MM)	381	591.8	718.8	805.2	1,010.90	962.7	1,079.50	980.4	1,170.90	1,188.70
NOMINAL TARE WEIGHT (LB S.)	7.4	25.8	28	44	76.4	106	119.3	158.2	191	197.4
NOMINAL TARE WEIGHT (KG)	3.3	11.6	12.9	19.8	34.4	47.7	53.7	71.2	86	88.8

HIGH PRESSURE STEEL

MODEL	D	D HS	E	E HS	20	40	55
DOT SPECIFICATION (PSIG)	3AA-2015	SP11692-2015	3AA-2015	SP11692-2015	3AA-2015	3AA-2015	3AA-2015
TC SPECIFICATION (BAR)	3AAM-154	SU4957-139	3AAM-154	SU4957-139	3AAM-154	3AAM-154	3AAM-154
OXYGEN CU.FT. @ 70° F	14.4/15.9	14.4	24/26.4	24	18.2/20	40/44	54/59.4
WATER CAPACITY (CU. IN.)	170	170	283	283	214	475	632
WATER CAPACITY (LITERS)	2.8	2.8	4.6	4.6	3.5	7.8	10.3
CYLINDER DIAMETER (IN.)	4.2	4.2	4.2	4.2	5.2	6.7	6.7
CYLINDER DIAMETER (MM)	106	106	106	106	133	171	171
HEIGHT W/CAP (IN.)	16.8	16.5	25.8	25.4	14.00	18.3	23.50
HEIGHT W/O CAP (MM)	426.7	419	655.3	645	355	464	597
NOMINAL TARE WEIGHT (LB S.)	7.5	5.7	10.5	8	9.6	22	26.5
NOMINAL TARE WEIGHT (KG)	3.4	2.6	4.7	3.6	4.4	10	12

HIGH PRESSURE STEEL

MODEL	80	110	125	150	20 LB. CO2	220	250	300
DOT SPECIFICATION (PSIG)	3AA-2015	3AA-2015	3AA-2265	3AA-2265	3AA-1800	3AA-2015	3AA-2265	3AA-240
TC SPECIFICATION (BAR)	3AAM-154	3AAM-154	3AAM-174	3AAM-174	3AAM-138	3AAM-154	3AA-173	3AAM-183
OXYGEN CU.FT. @ 70° F	80/88	112/123	126/138	137/150	20 lb. CO2	224/246	252/277	303/333
WATER CAPACITY (CU. IN.)	942	1,320	1,320	1,428	840	2,640	2,640	2,995
WATER CAPACITY (LITERS)	15.4	21.6	21.6	23.4	13.8	43.2	43.2	49
CYLINDER DIAMETER (IN.)	7	7	7	7	7.8	9.1	9.2	9.2
CYLINDER DIAMETER (MM)	178	178	178	178	198	231	234	234
HEIGHT W/CAP (IN.)	31.5	42.5	42.5	46	23.30	50	50.00	55.8
HEIGHT W/O CAP (MM)	800	1,080	1,080	1,168	591.8	1,270	1,270	1,417.30
NOMINAL TARE WEIGHT (LB S.)	40	60	60	65	31.5	114	115	134
NOMINAL TARE WEIGHT (KG)	18.1	27.2	27.2	29	14.3	51.7	52.2	60.8

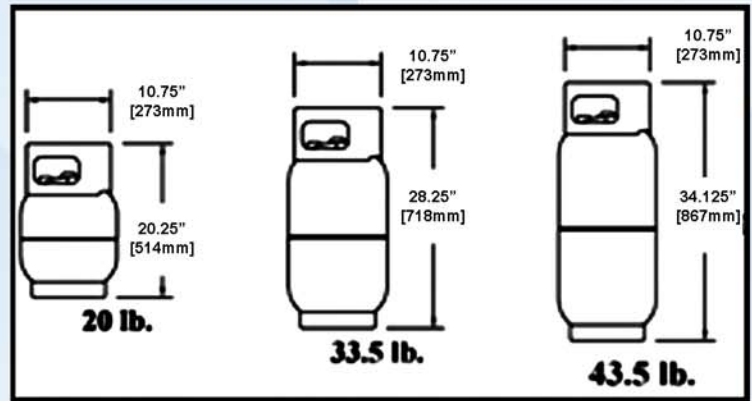
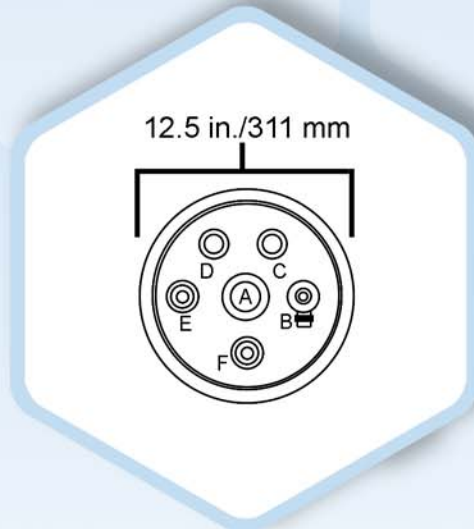
LOW PRESSURE STEEL

MODEL/SIZE (LB S.)	2	6	25.5	60	100	200	420
HEIGHT (IN.)	16.9	22.1	32.9	44.1	48	40	52
HEIGHT (MM)	429	561	836	1,120	1,219	1,016	1,321
WATER CAPACITY (LB S.)	4.5	15	61	142.9	239	474	1,000
WATER CAPACITY (KG)	2	6.8	27.7	64.8	108.4	215	454
NOMINAL TARE WIGHT (LB S.)	5.5	8	25.9	48.1	74.8	158	298
NOMINAL TARE WIGHT (KG)	2.5	3.6	11.7	21.8	33.9	71.6	135
CYLINDER DIAMETER (IN.)	4	6.3	9.1	12	14.7	24	30
CYLINDER DIAMETER (MM)	102	160	231	305	373	610	762
CYLINDER VOLUME (CU.IN.)	125	415	1,688	3,955	6,616	13,120	27,731
CYLINDER VOLUME (LITER)	2	6.8	27.7	65	108.4	215	454
COLLAR DIAMETER (IN.)	3	5.7	6.5	6.5	6.5	16	16
COLLAR DIAMETER (MM)	76	144.8	165	165	165	406	406
COLLAR HEIGHT (IN.)	4.3	6.5	5.1	5.1	5.1	6.9	6.9
COLLAR HEIGHT (MM)	109	165	130	130	130	175	175
FOOTRING DIAMETER (IN.)	3.9	6.3	7.8	12	14.5	19	22
FOOTRING DIAMETER (MM)	99	160	198	305	368	483	559
STANDARD SPECIFICATION	DOT-4BA-260	DOT-4E-260	DOT-4BW-260	DOT-4BW-260	DOT-4BW-260	DOT-4BW-260	DOT-4BW-260

GAS INNOVATIONS

Complete Inventory of all Cylinder Sizes to meet your needs

ALUMINUM FORKLIFT CYLINDERS



- A. Float gauge
- B. Liquid withdrawal tube/valve
- C. Vapor withdrawal tube/valve
- D. Liquid withdrawal tube/valve
- E. Fixed liquid level
- F. Safety relief valve

MODEL/SIZE (LBS.)	20	33.5	43.5
HEIGHT (IN.)	20.3	28.3	34.1
HEIGHT (MM)	516	719	866
LPG CAPACITY (GAL.)	4.7	7.9	10.3
LPG CAPACITY (KG)	17.8	29.9	39
WATER CAPACITY (LBS.)	47.9	80.3	103.7
WATER CAPACITY (KG)	21.7	36.4	47
NOMINAL TARE WIGHT (LBS.)	19.3	22.9	27
NOMINAL TARE WIGHT (KG)	8.8	10.4	12.2
CYLINDER DIAMETER (IN.)	12.3	12.3	12.3
CYLINDER DIAMETER (MM)	312	312	312
CYLINDER VOLUME (CU.IN.)	1,326	2,223	2,870
CYLINDER VOLUME (LITER)	21.7	36.4	47
COLLAR DIAMETER (IN.)	10.8	10.8	10.8
COLLAR DIAMETER (MM)	274	274	274
COLLAR HEIGHT (IN.)	6.8	6.8	6.8
COLLAR HEIGHT (MM)	173	173	173
FOOTRING DIAMETER (IN.)	9.4	9.4	9.4
FOOTRING DIAMETER (MM)	238	238	238
STANDARD SPECIFICATION	DOT-4E-240	DOT-4E-240	DOT-4E-240

